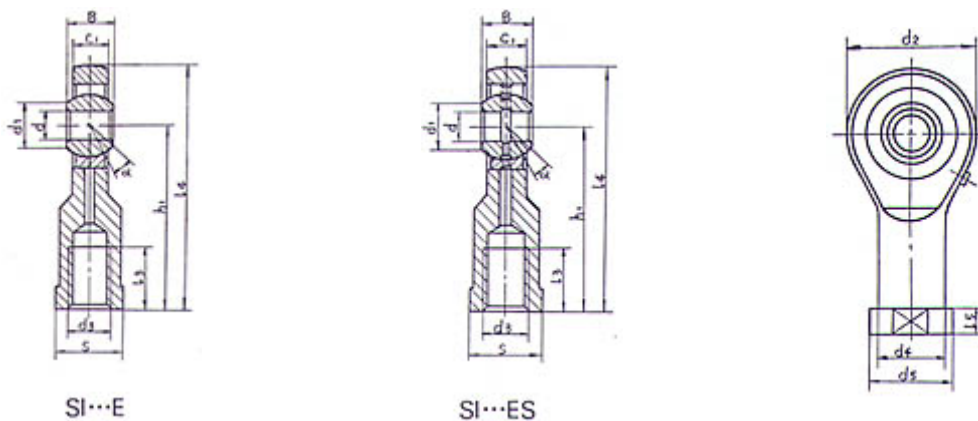


# China rod ends bearings , rod end bearing

## Manufacturer, Supplier, Factory, Exporter in china

Rod end, TianCheng Bearing Factory mainly produces rod ends, rod end manufacturer, rod end in China, rod ends factory, rod end in Cixi TianCheng, rod end supplier, pillow block, rod end, rod ends, Ball Joint Rod Ends, our other bearing are ball bearing, pillow block, Rod Ends, Ball Joint Rod Ends, Spherical Plain Bearings, special bearing, non-standard bearings, automotive bearings, auto bearing, We always get satisfactory feedback from customers.



Bearings number	Dimensions mm														Load ratings KN		a°	Weight ~kg
	d	B	r	S	C1	d1	d2	d3	h1	l3	l4	l5	d4	d5	S	Dyamic		
Series E																		
SI5E	5	6	0.3	4.5	7	21	M5	30	11	40.5	5	10	13	10	3.4	8.1	13	0.016
SI6E	6	6	0.3	4.5	8	21	M6	30	11	40.5	5	11	13	11	3.4	8.1	13	0.017
SI8E	8	8	0.3	6.5	10	24	M8	36	15	48	5	13	16	13	5.5	12.9	15	0.035
SI10E	10	9	0.3	7.5	13	29	M10	43	15	57.5	6.5	16	19	16	8.1	17.6	12	0.061
SI12E	12	10	0.3	8.5	15	34	M12	50	18	67	7	19	22	18	10	24.5	10	0.096
SI15ES	15	12	0.3	10.5	18	40	M14	61	21	81	8	21	26	21	16	36	8	0.162
SI17ES	17	14	0.3	11.5	20	46	M16	67	24	90	10	25	29	27	21	45	10	0.233
SI20ES	20	16	0.3	13.5	24	53	M20*1.5	77	30	103.5	10	28	34	30	29	60	9	0.324
SI25ES	25	20	0.6	18	29	64	M24*2	94	36	126	12	35	42	36	48	83	7	0.625
SI30ES	30	22	0.6	20	34	73	M30*2	110	45	146.5	15	42	50	46	62	110	6	0.976
SI35ES	35	25	0.6	22	39	82	M36*3	125	60	166	15	48	58	55	79	146	6	1.52
SI40ES	40	28	0.6	24	45	92	M39*3	142	65	188	18	52	65	60	99	180	7	2.06
SI45ES	45	32	0.6	28	50	102	M42*3	145	65	196	20	58	70	65	127	240	7	2.72
SI50ES	50	35	0.6	31	55	112	M45*3	160	68	216	20	62	75	70	156	290	6	3.57
SI60ES	60	44	1.0	39	66	135	M52*3	175	70	242.5	20	70	88	80	245	450	6	5.63
SI70ES	70	49	1.0	43	77	160	M56*4	200	80	280	20	80	98	85	313	610	6	8.33

SI80ES	80	55	1.0	48	88	180	M64*4	230	85	320	25	95	110	95	400	750	6	13.04
--------	----	----	-----	----	----	-----	-------	-----	----	-----	----	----	-----	----	-----	-----	---	-------

## Other products

[Deep groove ball bearing](#), [Angular contact ball bearing](#), [Self-aligning ball bearing](#), [Deep groove ball bearing](#), [Angular contact ball bearing](#), [Self-aligning ball bearing](#), [Bearing Unit](#), [Pillow Block](#), [Rod Ends](#), [Ball Joint Rod Ends](#), [Special bearings](#), [Special bearing](#), [Nylon Window Pulley](#), [Plastic Pulley](#), [Conveyor bearing for Roller](#), [Conveyor Wheel](#), [Pressed Thrust Bearing](#), [Pressed Bearing](#), [Unground Low Carbon Steel Bearing](#), [Steel Plastic Rollers For Doors&Vehicles](#), [Spherical Plain Bearings](#), [Radial Spherical Plain](#), [Angular Contact Spherical Plain Bearings](#), [Spherical Plain Thrust Bearings](#), [Tolerances for spherical Plain Bearings](#), [Radial internal Clearance of Spherical Plain Bearings](#), [Automotive Bearings](#), [Hub Wheel Bearing](#), [Clutch Release Bearing](#), [Tensioner Idler Bearing](#), [Cv-joint](#), [Steering Wheel Bearing](#), [Water Pump Bearing](#), [Roller bearing](#), [Taper Roller Bearing](#), [Needle Roller Bearing](#), [Thrust Roller Bearing](#), [Spherical Roller Bearing](#), [Cylindrical Roller Bearing](#), [Needle Bearing](#), [Linear Bearing](#)

## Contact us

**Cixi TianCheng Bearings Co.,Ltd.**

Sales Office Add:No.269 Sishan Road, Cixi, Ningbo, P.R.China. 315300

Tel: 0086-574-63886168 Fax: 0086-574-63886166

E-mail:[jvan@bearings-in-china.com](mailto:jvan@bearings-in-china.com)

Website:<http://www.bearings-in-china.com/>