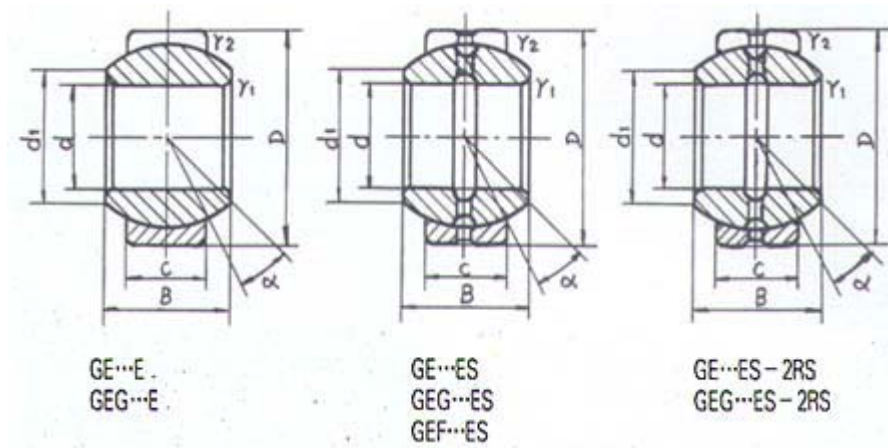


China radial spherical plain bearing , radial spherical plain bearing Manufacturer, Supplier, Factory, Exporter in china

TianCheng Bearing Factory mainly produces radial spherical plain bearings,a professional radial spherical plain bearing manufacturer,radial spherical plain bearing factory,EMQ radial spherical plain bearing .our other bearing is ball bearing,pillow block,Rod Ends,special bearing,non-standard bearings,Ball Joint Rod Ends,Spherical Plain Bearings,automotive bearings,auto bearing,We always get satisfactory feedback from customers.

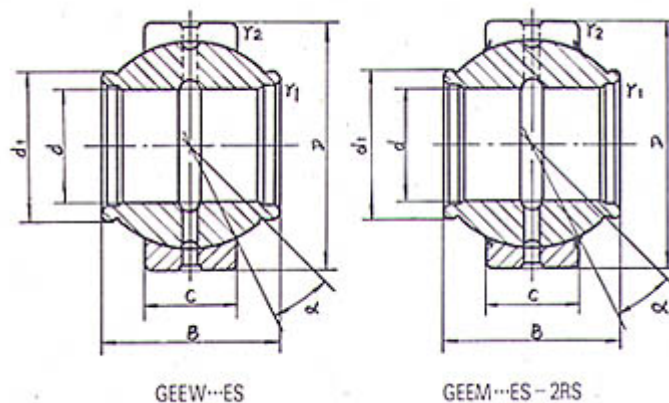


| Bearings number | | Dimensions mm | | | | | | | Load ratings KN | | α° | Weight ~kg |
|-----------------|------------|---------------|----|----|----|-----------|------------|------------|-----------------|--------|----------------|---------------|
| | | d | D | B | C | d1 min | r1s min | r25 min | Dyamic | Static | | |
| Series E | | | | | | | | | | | | |
| GE4E | - | 4 | 12 | 5 | 3 | 6 | 0.3 | 0.3 | 2 | 10 | 16 | 0.003 |
| GE5E | - | 5 | 14 | 6 | 4 | 8 | 0.3 | 0.3 | 3.4 | 17 | 13 | 0.004 |
| GE6E | - | 6 | 14 | 6 | 4 | 8 | 0.3 | 0.3 | 3.4 | 17 | 13 | 0.004 |
| GE8E | - | 8 | 16 | 8 | 5 | 10 | 0.3 | 0.3 | 5.5 | 27 | 15 | 0.008 |
| GE10E | - | 10 | 19 | 9 | 6 | 13 | 0.3 | 0.3 | 8.1 | 40 | 12 | 0.011 |
| GE12E | - | 12 | 22 | 10 | 7 | 15 | 0.3 | 0.3 | 10 | 53 | 10 | 0.015 |
| GE15ES | GE15ES-2RS | 15 | 26 | 12 | 9 | 18 | 0.3 | 0.3 | 16 | 84 | 8 | 0.027 |
| GE17ES | GE17ES-2RS | 17 | 30 | 14 | 10 | 20 | 0.3 | 0.3 | 21 | 106 | 10 | 0.041 |
| GE20ES | GE20ES-2RS | 20 | 35 | 16 | 12 | 24 | 0.3 | 0.3 | 30 | 146 | 9 | 0.066 |
| GE25ES | GE25ES-2RS | 25 | 42 | 20 | 16 | 29 | 0.6 | 0.6 | 48 | 240 | 7 | 0.119 |
| GE30ES | GE30ES-2RS | 30 | 47 | 22 | 18 | 34 | 0.6 | 0.6 | 62 | 310 | 6 | 0.153 |
| GE35ES | GE35ES-2RS | 35 | 55 | 25 | 20 | 39 | 0.6 | 0.6 | 79 | 399 | 6 | 0.233 |
| GE40ES | GE40ES-2RS | 40 | 62 | 28 | 22 | 45 | 0.6 | 0.6 | 99 | 495 | 7 | 0.306 |

| | | | | | | | | | | | | |
|---------|-------------|-----|-----|-----|-----|-----|-----|-----|------|-------|---|-------|
| GE45ES | GE45ES-2RS | 45 | 68 | 32 | 25 | 50 | 0.6 | 0.6 | 127 | 637 | 7 | 0.427 |
| GE50ES | GE50ES-2RS | 50 | 75 | 35 | 28 | 55 | 0.6 | 1.0 | 156 | 780 | 6 | 0.546 |
| GE60ES | GE60ES-2RS | 60 | 90 | 44 | 36 | 66 | 1.0 | 1.0 | 245 | 1220 | 6 | 1.04 |
| GE70ES | GE70ES-2RS | 70 | 105 | 49 | 40 | 77 | 1.0 | 1.0 | 313 | 1560 | 6 | 1.55 |
| GE80ES | GE80ES-2RS | 80 | 120 | 55 | 45 | 88 | 1.0 | 1.0 | 400 | 2000 | 6 | 2.31 |
| GE90ES | GE90ES-2RS | 90 | 130 | 60 | 50 | 98 | 1.0 | 1.0 | 488 | 2440 | 5 | 2.75 |
| GE100ES | GE100ES-2RS | 100 | 150 | 70 | 55 | 109 | 1.0 | 1.0 | 607 | 3030 | 7 | 4.45 |
| GE110ES | GE110ES-2RS | 110 | 160 | 70 | 55 | 120 | 1.0 | 1.0 | 654 | 3270 | 6 | 4.82 |
| GE120ES | GE120ES-2RS | 120 | 180 | 85 | 70 | 130 | 1.0 | 1.0 | 950 | 4750 | 6 | 8.05 |
| GE140ES | GE140ES-2RS | 140 | 210 | 90 | 70 | 150 | 1.0 | 1.0 | 1070 | 5355 | 7 | 11.02 |
| GE160ES | GE160ES-2RS | 160 | 230 | 105 | 80 | 170 | 1.0 | 1.0 | 1360 | 6800 | 8 | 14.01 |
| GE180ES | GE180ES-2RS | 180 | 260 | 105 | 80 | 192 | 1.1 | 1.1 | 1530 | 7650 | 6 | 18.65 |
| GE200ES | GE200ES-2RS | 200 | 290 | 130 | 100 | 212 | 1.1 | 1.1 | 2120 | 10600 | 7 | 28.03 |
| GE220ES | GE220ES-2RS | 220 | 320 | 135 | 100 | 238 | 1.1 | 1.1 | 2320 | 11600 | 8 | 35.51 |
| GE240ES | GE240ES-2RS | 240 | 340 | 140 | 100 | 265 | 1.1 | 1.1 | 2550 | 12700 | 8 | 39.91 |
| GE260ES | GE260ES-2RS | 260 | 370 | 150 | 110 | 285 | 1.1 | 1.1 | 3038 | 15190 | 7 | 51.54 |
| GE280ES | GE280ES-2RS | 280 | 400 | 155 | 120 | 310 | 1.1 | 1.1 | 2570 | 17850 | 6 | 65.06 |
| GE300ES | GE300ES-2RS | 300 | 430 | 165 | 120 | 330 | 1.1 | 1.1 | 3800 | 19100 | 7 | 78.07 |

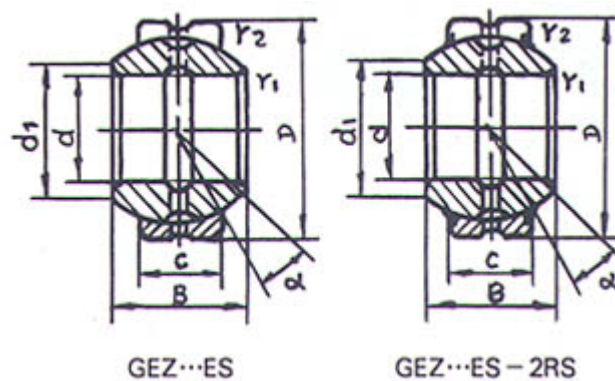
| Bearings number | Dimensions mm | | | | | | | Load ratings KN | | a° ~ | Weight ~kg | |
|-----------------|---------------|----|-----|----|-----------|------------|------------|-----------------|--------|---------|---------------|-------|
| | d | D | B | C | d1 min | r1s min | r25 min | Dyamic | Static | | | |
| Series G | | | | | | | | | | | | |
| GEG4E | - | 4 | 14 | 7 | 4 | 7 | 0.3 | 0.3 | 3.4 | 17 | 20 | 0.005 |
| GEG5E | - | 5 | 16 | 9 | 5 | 9 | 0.3 | 0.3 | 3.4 | 27 | 21 | 0.008 |
| GEG6E | - | 6 | 16 | 9 | 5 | 9 | 0.3 | 0.3 | 5.5 | 27 | 21 | 0.006 |
| GEG8E | - | 8 | 19 | 11 | 6 | 11 | 0.3 | 0.3 | 8.1 | 40 | 21 | 0.014 |
| GEG10E | - | 10 | 22 | 12 | 7 | 13 | 0.3 | 0.3 | 10 | 53 | 18 | 0.021 |
| GEG12E | - | 12 | 26 | 15 | 9 | 16 | 0.3 | 0.3 | 16 | 84 | 18 | 0.033 |
| GEG15ES | GEG15ES-2RS | 15 | 30 | 16 | 10 | 19 | 0.3 | 0.3 | 21 | 106 | 16 | 0.049 |
| GEG17ES | GEG17ES-2RS | 17 | 35 | 20 | 12 | 21 | 0.3 | 0.3 | 30 | 146 | 19 | 0.083 |
| GEG20ES | GEG20ES-2RS | 20 | 42 | 25 | 16 | 24 | 0.3 | 0.6 | 48 | 240 | 17 | 0.153 |
| GEG25ES | GEG25ES-2RS | 25 | 47 | 28 | 18 | 29 | 0.6 | 0.6 | 62 | 310 | 17 | 0.203 |
| GEG30ES | GEG30ES-2RS | 30 | 55 | 32 | 20 | 34 | 0.6 | 1.0 | 79 | 399 | 17 | 0.304 |
| GEG35ES | GEG35ES-2RS | 35 | 62 | 35 | 22 | 39 | 0.6 | 1.0 | 99 | 495 | 16 | 0.408 |
| GEG40ES | GEG40ES-2RS | 40 | 68 | 40 | 25 | 44 | 0.6 | 1.0 | 127 | 637 | 17 | 0.542 |
| GEG45ES | GEG45ES-2RS | 45 | 75 | 43 | 28 | 50 | 0.6 | 1.0 | 156 | 780 | 15 | 0.713 |
| GEG50ES | GEG50ES-2RS | 50 | 90 | 56 | 36 | 57 | 0.6 | 1.0 | 245 | 1220 | 17 | 1.14 |
| GEG60ES | GEG60ES-2RS | 60 | 105 | 63 | 40 | 67 | 1.0 | 1.0 | 313 | 1560 | 17 | 2.05 |
| GEG70ES | GEG70ES-2RS | 70 | 120 | 70 | 45 | 77 | 1.0 | 1.0 | 400 | 2000 | 16 | 3.01 |

| | | | | | | | | | | | | |
|----------|--------------|-----|-----|-----|-----|-------|-----|-----|------|-------|----|-------|
| GEG80ES | GEG80ES-2RS | 80 | 130 | 75 | 50 | 87 | 1.0 | 1.0 | 488 | 2440 | 14 | 3.64 |
| GEG90ES | GEG90ES-2RS | 90 | 150 | 85 | 55 | 98 | 1.0 | 1.0 | 607 | 3030 | 15 | 5.22 |
| GEG100ES | GEG100ES-2RS | 100 | 160 | 85 | 55 | 110 | 1.0 | 1.0 | 654 | 3270 | 14 | 6.05 |
| GEG110ES | GEG110ES-2RS | 110 | 180 | 100 | 70 | 122 | 1.0 | 1.0 | 950 | 4750 | 12 | 9.68 |
| GEG120ES | GEG120ES-2RS | 120 | 210 | 115 | 70 | 132 | 1.0 | 1.0 | 1070 | 5355 | 16 | 14.01 |
| GEG140ES | GEG140ES-2RS | 140 | 230 | 130 | 80 | 151 | 1.0 | 1.0 | 1360 | 6800 | 16 | 19.01 |
| GEG160ES | GEG160ES-2RS | 160 | 260 | 135 | 80 | 176 | 1.1 | 1.1 | 1530 | 7650 | 16 | 20.02 |
| GEG180ES | GEG180ES-2RS | 180 | 290 | 155 | 100 | 196 | 1.1 | 1.1 | 2120 | 10600 | 14 | 32.21 |
| GEG200ES | GEG200ES-2RS | 200 | 320 | 165 | 100 | 220 | 1.1 | 1.1 | 2320 | 11600 | 15 | 45.28 |
| GEG220ES | GEG220ES-2RS | 220 | 340 | 175 | 100 | 243 | 1.1 | 1.1 | 2550 | 12700 | 16 | 51.12 |
| GEG240ES | GEG240ES-2RS | 240 | 370 | 190 | 110 | 263 | 1.1 | 1.1 | 3038 | 15190 | 15 | 65.12 |
| GEG260ES | GEG260ES-2RS | 260 | 400 | 205 | 120 | 285 | 1.1 | 1.1 | 3570 | 17850 | 15 | 82.44 |
| GEG280ES | GEG280ES-2RS | 280 | 430 | 210 | 120 | 310 | 1.1 | 1.1 | 3800 | 19100 | 15 | 97.21 |
| Series F | | | | | | | | | | | | |
| GEF12ES | | 12 | 22 | 11 | 9 | 14 | 0.5 | 0.5 | 13 | 68 | 7 | 0.019 |
| GEF15ES | | 15 | 26 | 13 | 11 | 17.5 | 0.5 | 0.5 | 20 | 102 | 6 | 0.028 |
| GEF20ES | | 20 | 32 | 16 | 14 | 23 | 0.5 | 0.5 | 33 | 166 | 4 | 0.053 |
| GEF22ES | | 22 | 37 | 19 | 16 | 25.5 | 0.5 | 0.5 | 43 | 217 | 6 | 0.085 |
| GEF25ES | | 25 | 42 | 21 | 18 | 29 | 0.5 | 0.5 | 55 | 275 | 5 | 0.116 |
| GEF30ES | | 30 | 50 | 27 | 23 | 36 | 1.0 | 1.0 | 87 | 439 | 6 | 0.225 |
| GEF35ES | | 35 | 55 | 30 | 26 | 40 | 1.0 | 1.0 | 110 | 552 | 5 | 0.302 |
| GEF40ES | | 40 | 62 | 33 | 28 | 44 | 1.0 | 1.0 | 130 | 654 | 6 | 0.375 |
| GEF45ES | | 45 | 72 | 36 | 31 | 50.5 | 1.0 | 1.0 | 163 | 816 | 5 | 0.598 |
| GEF50ES | | 50 | 80 | 42 | 36 | 58.5 | 1.0 | 1.0 | 220 | 1100 | 5 | 0.869 |
| GEF55ES | | 55 | 90 | 47 | 40 | 64.5 | 1.0 | 1.0 | 272 | 1360 | 6 | 1.26 |
| GEF60ES | | 60 | 100 | 53 | 45 | 72.5 | 1.0 | 1.0 | 344 | 1720 | 6 | 1.72 |
| GEF65ES | | 65 | 102 | 55 | 47 | 76 | 1.0 | 1.0 | 375 | 1877 | 5 | 2.05 |
| GEF70ES | | 70 | 110 | 58 | 50 | 81.5 | 1.0 | 1.0 | 425 | 2125 | 5 | 2.23 |
| GEF75ES | | 75 | 120 | 64 | 55 | 89.5 | 1.0 | 1.0 | 510 | 2570 | 5 | 3.01 |
| GEF80ES | | 80 | 130 | 70 | 60 | 97.5 | 1.0 | 1.0 | 610 | 3060 | 5 | 3.98 |
| GEF85ES | | 85 | 135 | 74 | 63 | 100.5 | 1.0 | 1.0 | 669 | 3340 | 6 | 4.31 |
| GEF90ES | | 90 | 140 | 76 | 65 | 105.5 | 1.0 | 1.0 | 718 | 3590 | 5 | 4.72 |
| GEF95ES | | 95 | 150 | 82 | 70 | 113.5 | 1.0 | 1.0 | 833 | 4165 | 5 | 6.05 |
| GEF100ES | | 100 | 160 | 88 | 75 | 121.5 | 1.5 | 1.5 | 956 | 4780 | 5 | 7.43 |
| GEF110ES | | 110 | 170 | 93 | 80 | 130 | 1.5 | 1.5 | 1080 | 5440 | 5 | 8.54 |
| GEF115ES | | 115 | 180 | 98 | 85 | 132.5 | 1.5 | 1.5 | 1190 | 5960 | 5 | 10.3 |
| GEF120ES | | 120 | 190 | 105 | 90 | 140 | 1.5 | 1.5 | 1330 | 6690 | 6 | 12.4 |
| GEF130ES | | 130 | 200 | 110 | 95 | 148.5 | 1.5 | 1.5 | 1490 | 7460 | 5 | 13.8 |
| GEF150ES | | 150 | 220 | 120 | 105 | 166 | 1.5 | 1.5 | 1820 | 9140 | 5 | 17.1 |



| Bearings number | Dimensions mm | | | | | | | Load ratings KN | | a° | Weight ~kg |
|-----------------|---------------|-----|-----|-----|-----------|------------|------------|-----------------|--------|----|---------------|
| | d | D | B | C | d1 min | r1s min | r25 min | Dyamic | Static | | |
| Series EW | | | | | | | | | | | |
| GEEW12ES | 12 | 22 | 12 | 7 | 15.5 | 0.3 | 0.3 | 10 | 53 | 4 | 0.022 |
| GEEW15ES | 15 | 26 | 15 | 9 | 18.5 | 0.3 | 0.3 | 16 | 84 | 5 | 0.031 |
| GEEW16ES | 16 | 28 | 16 | 9 | 20 | 0.3 | 0.3 | 17 | 85 | 4 | 0.035 |
| GEEW17ES | 17 | 30 | 17 | 10 | 21 | 0.3 | 0.3 | 21 | 106 | 7 | 0.044 |
| GEEW20ES | 20 | 35 | 20 | 12 | 25 | 0.3 | 0.3 | 30 | 146 | 4 | 0.071 |
| GEEW25ES | 25 | 42 | 25 | 16 | 30.5 | 0.6 | 0.6 | 48 | 240 | 4 | 0.131 |
| GEEW30ES | 30 | 47 | 30 | 18 | 34 | 0.6 | 0.6 | 62 | 310 | 4 | 0.168 |
| GEEW32ES | 32 | 52 | 32 | 18 | 37 | 0.6 | 1.0 | 65 | 328 | 4 | 0.182 |
| GEEW35ES | 35 | 55 | 35 | 20 | 40 | 0.6 | 1.0 | 79 | 399 | 4 | 0.253 |
| GEEW40ES | 40 | 62 | 40 | 22 | 46 | 0.6 | 1.0 | 99 | 495 | 4 | 0.338 |
| GEEW45ES | 45 | 68 | 45 | 25 | 52 | 0.6 | 1.0 | 127 | 637 | 4 | 0.481 |
| GEEW50ES | 50 | 75 | 50 | 28 | 57 | 0.6 | 1.0 | 156 | 780 | 4 | 0.558 |
| GEEW60ES | 60 | 90 | 60 | 36 | 68 | 1.0 | 1.0 | 245 | 1220 | 4 | 1.15 |
| GEEW63ES | 63 | 95 | 63 | 36 | 71.5 | 1.0 | 1.0 | 253 | 1269 | 4 | 1.23 |
| GEEW70ES | 70 | 105 | 70 | 40 | 78 | 1.0 | 1.0 | 313 | 1560 | 4 | 1.71 |
| GEEW80ES | 80 | 120 | 80 | 45 | 91 | 1.0 | 1.0 | 400 | 2000 | 4 | 2.93 |
| GEEW90ES | 90 | 130 | 90 | 50 | 99 | 1.0 | 1.0 | 488 | 2440 | 4 | 3.21 |
| GEEW100ES | 100 | 150 | 100 | 55 | 113 | 1.0 | 1.0 | 607 | 3030 | 4 | 4.79 |
| GEEW110ES | 110 | 160 | 110 | 55 | 124 | 1.0 | 1.0 | 654 | 3270 | 4 | 5.78 |
| GEEW125ES | 125 | 180 | 125 | 70 | 138 | 1.0 | 1.0 | 950 | 4750 | 4 | 8.49 |
| GEEW160ES | 160 | 230 | 160 | 80 | 177 | 1.0 | 1.0 | 1370 | 6800 | 4 | 16.5 |
| GEEW200ES | 200 | 290 | 200 | 100 | 221 | 1.1 | 1.1 | 2120 | 10600 | 4 | 32.1 |
| GEEW250ES | 250 | 400 | 250 | 120 | 317 | 1.1 | 1.1 | 3750 | 17800 | 4 | 99.1 |
| GEEW320ES | 320 | 520 | 320 | 160 | 405 | 1.1 | 1.1 | 6200 | 30500 | 4 | 225 |
| Series EM | | | | | | | | | | | |

| | | | | | | | | | | | |
|--------------|----|-----|----|----|----|-----|-----|-----|------|---|-------|
| GEEM20ES-2RS | 20 | 35 | 24 | 12 | 24 | 0.3 | 0.3 | 30 | 146 | 6 | 0.073 |
| GEEM25ES-2RS | 25 | 42 | 29 | 16 | 29 | 0.3 | 0.6 | 48 | 240 | 4 | 0.013 |
| GEEM30ES-2RS | 30 | 47 | 30 | 18 | 34 | 0.3 | 0.6 | 62 | 310 | 4 | 0.17 |
| GEEM35ES-2RS | 35 | 55 | 35 | 20 | 40 | 0.6 | 1.0 | 79 | 399 | 4 | 0.25 |
| GEEM40ES-2RS | 40 | 62 | 38 | 22 | 45 | 0.6 | 1.0 | 99 | 495 | 4 | 0.35 |
| GEEM45ES-2RS | 45 | 68 | 40 | 25 | 52 | 0.6 | 1.0 | 127 | 637 | 4 | 0.49 |
| GEEM50ES-2RS | 50 | 75 | 43 | 28 | 57 | 0.6 | 1.0 | 156 | 780 | 4 | 0.60 |
| GEEM60ES-2RS | 60 | 90 | 54 | 36 | 68 | 0.6 | 1.0 | 245 | 1220 | 3 | 1.15 |
| GEEM70ES-2RS | 70 | 105 | 65 | 40 | 78 | 0.6 | 1.0 | 313 | 1560 | 4 | 1.65 |
| GEEM80ES-2RS | 80 | 120 | 74 | 45 | 90 | 0.6 | 1.0 | 400 | 2000 | 4 | 2.50 |



| Bearings number | Dimensions mm | | | | | | | | Load ratings KN | | a° | Weight ~kg |
|-----------------|---------------|--------|---------|--------|-----------|------------|------------|--------|-----------------|------|----|---------------|
| | d | D | B | C | d1 min | r1s min | r25 min | Dyamic | Static | | | |
| Series Z | | | | | | | | | | | | |
| GEZ12ES | - | 12.7 | 22.225 | 11.1 | 9.525 | 14.1 | 0.15 | 0.6 | 13 | 41 | 6 | 0.022 |
| GEZ15ES | - | 15.875 | 26.988 | 13.894 | 11.913 | 18.3 | 0.15 | 0.6 | 22 | 65 | 6 | 0.036 |
| GEZ19ES | - | 19.05 | 31.75 | 16.662 | 14.275 | 21.8 | 0.3 | 0.6 | 31 | 95 | 6 | 0.053 |
| GEZ22ES | - | 22.225 | 36.513 | 19.431 | 16.662 | 25.4 | 0.3 | 0.6 | 42 | 127 | 6 | 0.085 |
| GEZ25ES | GEZ25ES-2RS | 25.4 | 41.275 | 22.225 | 19.05 | 27.6 | 0.3 | 0.6 | 56 | 166 | 6 | 0.121 |
| GEZ31ES | GEZ31ES-2RS | 31.75 | 50.8 | 27.762 | 23.8 | 36.0 | 0.6 | 0.6 | 86 | 260 | 6 | 0.232 |
| GEZ34ES | GEZ34ES-2RS | 34.925 | 55.563 | 30.15 | 26.187 | 38.6 | 0.6 | 1.0 | 102 | 310 | 6 | 0.351 |
| GEZ38ES | GEZ38ES-2RS | 38.1 | 61.913 | 33.325 | 28.575 | 41.2 | 0.6 | 1.0 | 125 | 375 | 6 | 0.422 |
| GEZ44ES | GEZ44ES-2RS | 44.45 | 71.438 | 38.887 | 33.325 | 50.7 | 0.6 | 1.0 | 170 | 510 | 6 | 0.641 |
| GEZ50ES | GEZ50ES-2RS | 50.8 | 80.963 | 44.45 | 38.1 | 57.9 | 0.6 | 1.0 | 224 | 670 | 6 | 0.932 |
| GEZ57ES | GEZ57ES-2RS | 57.15 | 90.488 | 50.013 | 42.85 | 64.9 | 0.6 | 1.0 | 280 | 850 | 6 | 1.33 |
| GEZ63ES | GEZ63ES-2RS | 63.5 | 100.013 | 55.55 | 47.625 | 73.3 | 1.0 | 1.0 | 355 | 1060 | 6 | 1.85 |
| GEZ69ES | GEZ69ES-2RS | 69.85 | 111.125 | 61.112 | 52.375 | 79.1 | 1.0 | 1.0 | 415 | 1250 | 6 | 2.42 |
| GEZ76ES | GEZ76ES-2RS | 76.2 | 120.65 | 66.675 | 57.15 | 86.8 | 1.0 | 1.0 | 500 | 1500 | 6 | 3.10 |
| GEZ82ES | GEZ82ES-2RS | 82.55 | 130.175 | 72.238 | 61.9 | 94.5 | 1.0 | 1.0 | 585 | 1760 | 6 | 3.82 |

| | | | | | | | | | | | | |
|-----------|---------------|--------|---------|---------|---------|-------|-----|-----|------|-------|----|-------|
| GEZ88ES | GEZ88ES-2RS | 88.9 | 139.7 | 77.775 | 66.675 | 101.6 | 1.0 | 1.0 | 680 | 2040 | 6 | 4.79 |
| GEZ95ES | GEZ95ES-2RS | 95.25 | 149.225 | 83.337 | 71.425 | 108.7 | 1.0 | 1.0 | 780 | 2360 | 6 | 5.78 |
| GEZ101ES | GEZ101ES-2RS | 101.6 | 158.75 | 88.9 | 76.2 | 115.8 | 1.0 | 1.0 | 900 | 2650 | 6 | 6.99 |
| GEZ107ES | GEZ107ES-2RS | 107.95 | 168.275 | 94.463 | 80.95 | 122.8 | 1.0 | 1.0 | 1000 | 3000 | 6 | 8.41 |
| GEZ114ES | GEZ114ES-2RS | 114.3 | 177.8 | 100.013 | 85.725 | 130.6 | 1.0 | 1.0 | 1120 | 3400 | 6 | 9.79 |
| GEZ120ES | GEZ120ES-2RS | 120.65 | 187.325 | 105.562 | 90.475 | 137.6 | 1.1 | 1.0 | 1250 | 3750 | 6 | 11.5 |
| GEZ127ES | GEZ127ES-2RS | 127 | 195.85 | 111.125 | 95.25 | 145.3 | 1.1 | 1.0 | 1400 | 4150 | 6 | 13.5 |
| GEZ152ES | GEZ152ES-2RS | 152.4 | 222.25 | 120.65 | 104.775 | 168.2 | 1.1 | 1.0 | 1730 | 5200 | 5 | 17.5 |
| GEZ165ES | GEZ165ES-2RS | 165.1 | 247.65 | 123.825 | 103.175 | 185.2 | 1.1 | 1.1 | 1830 | 5500 | 7 | 22.9 |
| GEZ177ES | GEZ177ES-2RS | 177.8 | 266.7 | 133.35 | 111.125 | 199.5 | 1.1 | 1.1 | 2120 | 6390 | 7 | 28.6 |
| GEZ190ES | GEZ190ES-2RS | 190.5 | 285.75 | 142.875 | 119.05 | 213.7 | 1.1 | 1.1 | 2440 | 7340 | 7 | 35.1 |
| GEZ203ES | GEZ203ES-2RS | 203.2 | 304.8 | 152.4 | 127 | 228.0 | 1.1 | 1.1 | 2770 | 8350 | 7 | 42.6 |
| GEZ215ES | GEZ215ES-2RS | 215.9 | 323.85 | 161.925 | 134.925 | 242.2 | 1.1 | 1.1 | 3130 | 9420 | 7 | 51.1 |
| GEZ228ES | GEZ228ES-2RS | 228.6 | 342.9 | 171.45 | 142.875 | 256.4 | 1.1 | 1.1 | 3510 | 10500 | 7 | 60.7 |
| GEZ241ES | GEZ241ES-2RS | 241.3 | 361.95 | 180.975 | 150.8 | 270.7 | 1.1 | 1.1 | 3910 | 11700 | 7 | 71.4 |
| GEZ254ES | GEZ254ES-2RS | 254 | 381 | 190.5 | 158.75 | 284.9 | 1.1 | 1.1 | 4340 | 13050 | 7 | 83.3 |
| GEZ266ES | GEZ266ES-2RS | 266.7 | 400.05 | 200.025 | 166.675 | 299.2 | 1.1 | 1.1 | 4780 | 14300 | 7 | 96.4 |
| GEZ279ES | GEZ279ES-2RS | 279.4 | 419.1 | 209.55 | 174.625 | 313.4 | 1.1 | 1.1 | 5250 | 15700 | 7 | 110.8 |
| GEZ292ES | GEZ292ES-2RS | 292.1 | 438.15 | 219.075 | 182.55 | 327.7 | 1.1 | 1.1 | 5740 | 17200 | 7 | 126.7 |
| GEZ304ES | GEZ304ES-2RS | 304.8 | 457.2 | 228.6 | 190.5 | 341.9 | 1.1 | 1.1 | 6250 | 18700 | 7 | 143.9 |
| Series GZ | | | | | | | | | | | | |
| GEGZ31ES | GEGZ31ES-2RS | 31.75 | 61.913 | 35.306 | 28.575 | 42.1 | 0.6 | 1.0 | 125 | 375 | 15 | 0.454 |
| GEGZ38ES | GEGZ38ES-2RS | 38.1 | 71.438 | 40.132 | 33.325 | 49.5 | 0.6 | 1.0 | 170 | 510 | 14 | 0.726 |
| GEGZ44ES | GEGZ44ES-2RS | 44.45 | 80.963 | 46.228 | 38.1 | 56.3 | 0.6 | 1.0 | 224 | 670 | 14 | 1.14 |
| GEGZ50ES | GEGZ50ES-2RS | 50.8 | 90.488 | 52.578 | 42.85 | 63.5 | 0.6 | 1.0 | 280 | 850 | 14 | 1.68 |
| GEGZ57ES | GEGZ57ES-2RS | 57.15 | 100.013 | 58.877 | 47.625 | 69.8 | 0.6 | 1.0 | 355 | 1060 | 14 | 2.01 |
| GEGZ63ES | GEGZ63ES-2RS | 63.5 | 111.125 | 64.643 | 52.375 | 76.9 | 1.0 | 1.0 | 415 | 1250 | 14 | 2.95 |
| GEGZ69ES | GEGZ69ES-2RS | 69.85 | 120.65 | 70.866 | 57.15 | 83.8 | 1.0 | 1.0 | 500 | 1500 | 14 | 3.63 |
| GEGZ76ES | GEGZ76ES-2RS | 76.2 | 130.175 | 76.759 | 61.9 | 90.9 | 1.0 | 1.0 | 585 | 1760 | 14 | 4.36 |
| GEGZ82ES | GEGZ82ES-2RS | 82.55 | 139.7 | 82.931 | 66.675 | 97.7 | 1.0 | 1.0 | 680 | 2040 | 14 | 5.31 |
| GEGZ88ES | GEGZ88ES-2RS | 88.9 | 149.225 | 90.424 | 71.425 | 104.1 | 1.0 | 1.0 | 780 | 2360 | 14 | 6.81 |
| GEGZ95ES | GEGZ95ES-2RS | 95.25 | 158.75 | 94.945 | 76.2 | 111.0 | 1.0 | 1.0 | 900 | 3650 | 14 | 8.85 |
| GEGZ101ES | GEGZ101ES-2RS | 101.6 | 177.8 | 107.315 | 85.725 | 124.4 | 1.0 | 1.0 | 1120 | 3400 | 10 | 10.2 |
| GEGZ114ES | GEGZ114ES-2RS | 114.3 | 196.85 | 119.126 | 95.25 | 138.9 | 1.0 | 1.0 | 1400 | 4150 | 10 | 13.6 |
| GEGZ139ES | GEGZ139ES-2RS | 139.7 | 222.25 | 125.73 | 104.775 | 165.1 | 1.0 | 1.0 | 1730 | 5200 | 9 | 20.4 |

Other products

Deep groove ball bearing, Angular contact ball bearing, Self-aligning ball bearing, Deep groove ball bearing,

Angular contact ball bearing, Self-aligning ball bearing, **Bearing Unit**, Pillow Block, Rod Ends, Ball Joint Rod Ends, **Special bearings**, Special bearing, Nylon Window Pulley, Plastic Pulley, Conveyor bearing for Roller, Conveyor Wheel, Pressed Thrust Bearing, Pressed Bearing, Unground Low Carbon Steel Bearing, Steel Plastic Rollers For Doors&Vehicles, **Spherical Plain Bearings**, Radial Spherical Plain, Angular Contact Spherical Plain Bearings, Spherical Plain Thrust Bearings, Tolerances for spherical Plain Bearings, Radial internal Clearance of Spherical Plain Bearings, **Automotive Bearings**, Hub Wheel Bearing, Clutch Release Bearing, Tensioner Idler Bearing, Cv-joint, Steering Wheel Bearing, Water Pump Bearing, **Roller bearing**, Taper Roller Bearing, Needle Roller Bearing, Thrust Roller Bearing, Spherical Roller Bearing, Cylindrical Roller Bearing, **Needle Bearing**, **Linear Bearing**

Contact us

Cixi TianCheng Bearings Co.,Ltd.

Sales Office Add:No.269 Sishan Road, Cixi, Ningbo, P.R.China. 315300

Tel: 0086-574-63886168 Fax: 0086-574-63886166

E-mail:jvan@bearings-in-china.com

Website:<http://www.bearings-in-china.com/>