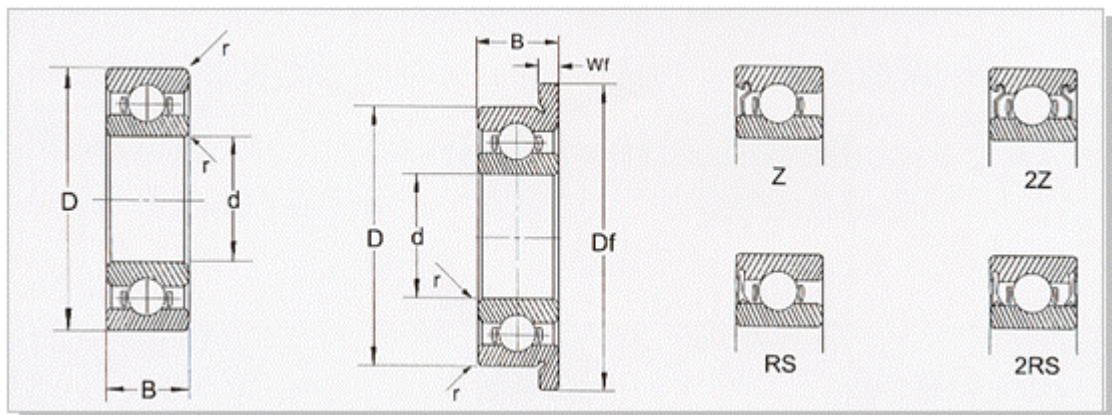


China miniature ball bearing , miniature ball bearings Manufacturer, Supplier, Factory, Exporter in china

Miniature ball bearing, TianCheng Bearing Factory mainly produces angular contact ball bearings, a professional angular contact ball bearing manufacturer, angular contact ball bearing factory, EMQ angular contact ball bearing .our other bearing is ball bearing, pillow block, Rod Ends, Ball Joint Rod Ends, Spherical Plain Bearings, special bearing, non-standard bearings, automotive bearings, auto bearing, We always get satisfactory feedback from customers.



Bearing No	Inside Diameter b	Outside Diameter D	Width B		Flange Dimensions		Radius r min	Basic Load Rating		Ball Complement	
			Open	Shielded & Sealed	Open			Dynamic Cr	Static Cor	Number	Size
					Df	Wf					
mm	mm	mm	mm	mm	mm	mm	mm	N	N		mm
673 L630	3	6	2	2.5	7.2	0.6	0.05	155	8	8	0.794
683 L730	3	7	2	3	8.1	0.5	0.15	293	7	7	1.19119
693 ...	3	8	3	4	9.5	0.7	0.15	284	6	6	1.588
603 ...	3	9	3	5	10.5	0.7	0.15	440	7	7	1.588
623 ...	3	10	4	4	11.5	1.0	0.15	440	7	7	1.588
674 L740	4	7	2	2.5	8.2	0.6	0.1	254	9	9	0.794
... L840	4	8	2	3	9.2	0.6	0.1	391	7	7	1.191
684 L940	4	9	2.5	4	10.3	0.6	0.15	440	7	7	1.588
... L1040	4	10	3	4	11.2	0.6	0.15	440	8	8	1.588
... [1]40W3.5	4	11	3.5	0.1	547	8	8	1.588
694 ...	4	11	4	4	12.5	1.0	0.15	547	9	9	1.588
604 ...	4	12	4	4	13.5	1.0	0.2	742	7	7	2.0
624 ...	4	13	5	5	15	1.0	0.2	992	6	6	2.381
634 ...	4	16	5	5	0.2	1333	8	8	2.381

675 L850	5	8	2	2.5	9.2	0.6	0.08	274	9	9	0.794
... L950	5	9	2.5	3	0.1	499	10	10	1.191
... L940	5	10	3	4	0.1	511	8	8	1.588
685 L1050	5	11	3	5	12.5	0.8	0.2	547	9	9	1.588
... [1]50W4	5	11	4	0.15	547	8	8	1.588
695 ...	5	13	4	4	15	1.0	0.2	831	8	8	2.0
605 ...	5	14	5	5	16	1.0	0.2	1017	7	7	2.381
625 ...	5	16	5	5	18	1.0	0.3	1333	8	8	2.381
635 ...	5	19	6	6	0.3	1778	6	6	3.969
676 L1060	6	10	2.5	3	11.2	0.6	0.1	547	9	9	1.191
... L1260	6	12	3	4	13.2	0.6	0.15	831	10	10	1.588
686 L1360	6	13	3.5	5	15	1.0	0.2	831	8	8	2.0
696 ...	6	15	5	5	17	1.2	0.2	1333	8	8	2.381

Bearing No	Inside Diameter b	Outside Diameter D	Width B		Flange Dimensions		Radius r min	Basic Load Rating		Ball Complement	
			Open	Shielded & Sealed	Open			Dynamic Cr	Static Cor	Number	Size
					Df	Wf					
	mm	mm	mm	mm	mm	mm	mm	N	N		mm
606 ...	6	17	6	6	19	1.2	0.3	1333	622	8	2.381
626 ...	6	19	6	6	22	1.5	0.3	1778	844	6	3.969
626 ...	6	19	6	6	22	1.5	0.3	1689	800	7	3.5
626-4 ...	6.35	19	6	6	22	1.5	0.3	1778	844	6	3.969
627-4 ...	6.35	22	7	7	0.3	2578	1289	7	3.969
677 L1170	7	11	2.5	3	12.2	0.6	0.1	448	205	9	1.191
... L1370	7	13	3	3	14.2	0.6	0.15	880	391	11	1.588
687 L1470	7	14	3.5	3.5	16	1.0	0.2	898	457	8	2.0
697 ...	7	17	5	5	19	1.2	0.2	1044	553	7	3.0
607 ...	7	19	6	6	22	1.5	0.3	1711	800	6	3.969
627 ...	7	22	7	7	0.3	2578	1289	7	3.969
678 L1280	8	12	2.5	3.5	13.2	0.6	0.1	508	254	11	2.381
... L1480	8	14	3.5	4	15.6	0.8	0.15	880	391	9	1.588
688 L1680	8	16	4	5	18	1.0	0.3	1378	711	9	2.381
698 ...	8	19	6	6	22	1.5	0.3	1266	644	7	3.5
608 ...	8	22	7	7	25	1.5	0.3	2578	1289	7	3.969
628 ...	8	24	8	8	0.3	2578	1289	7	3.969
689 L1790	9	17	4	5	19	1.0	0.2	1378	711	9	2.381
699 L2090	9	20	6	6	0.3	1378	711	9	2.381
609 ...	9	24	7	7	0.3	2578	1289	7	3.969
629 ...	9	26	8	8	0.3	3511	1778	7	4.763

... L1910	10	19	5	5	0.3	1378	711	9	2.381
... L1910W6	10	19	6	0.3	1378	711	9	2.381
... L2010	10	20	5	6	0.3	1378	711	9	2.381

Other products

[Deep groove ball bearing](#), [Angular contact ball bearing](#), [Self-aligning ball bearing](#), [Deep groove ball bearing](#), [Angular contact ball bearing](#), [Self-aligning ball bearing](#), **[Bearing Unit](#)**, [Pillow Block](#), [Rod Ends](#), [Ball Joint Rod Ends](#), **[Special bearings](#)**, [Special bearing](#), [Nylon Window Pulley](#), [Plastic Pulley](#), [Conveyor bearing for Roller](#), [Conveyor Wheel](#), [Pressed Thrust Bearing](#), [Pressed Bearing](#), [Unground Low Carbon Steel Bearing](#), [Steel Plastic Rollers For Doors&Vehicles](#), **[Spherical Plain Bearings](#)**, [Radial Spherical Plain](#), [Angular Contact Spherical Plain Bearings](#), [Spherical Plain Thrust Bearings](#), [Tolerances for spherical Plain Bearings](#), [Radial internal Clearance of Spherical Plain Bearings](#), **[Automotive Bearings](#)**, [Hub Wheel Bearing](#), [Clutch Release Bearing](#), [Tensioner Idler Bearing](#), [Cv-joint](#), [Steering Wheel Bearing](#), [Water Pump Bearing](#), **[Roller bearing](#)**, [Taper Roller Bearing](#), [Needle Roller Bearing](#), [Thrust Roller Bearing](#), [Spherical Roller Bearing](#), [Cylindrical Roller Bearing](#), **[Needle Bearing](#)**, **[Linear](#)**

Bearing

Contact us

Cixi TianCheng Bearings Co.,Ltd.

Sales Office Add:No.269 Sishan Road, Cixi, Ningbo, P.R.China. 315300

Tel: 0086-574-63886168 Fax: 0086-574-63886166

E-mail:ivan@bearings-in-china.com

Website:<http://www.bearings-in-china.com/>