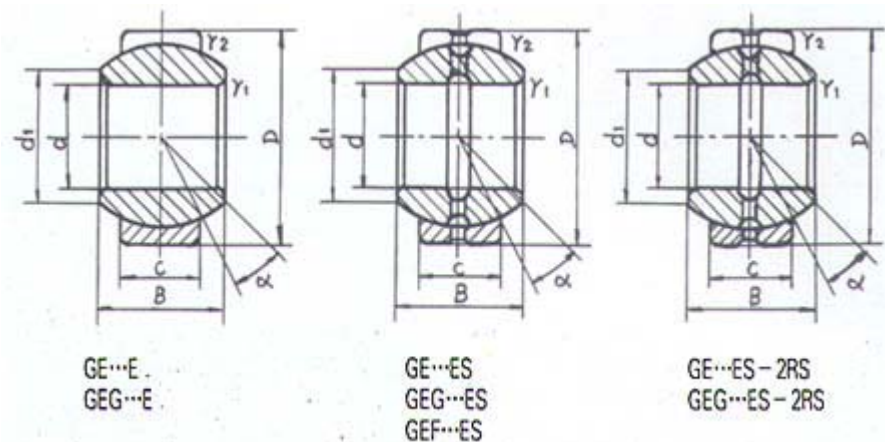


China Angular Contact Spherical Plain Bearings , Angular Contact Spherical Plain Bearings Manufacturer, Supplier, Factory, Exporter in china

TianCheng Bearing Factory mainly produces Angular Contact Spherical Plain Bearings,a professional Angular Contact Spherical Plain Bearings manufacturer,Angular Contact Spherical Plain Bearings factory,our other bearing is ball bearing,pillow block,Rod Ends,special bearing,non-standard bearings,Ball Joint Rod Ends,Spherical Plain Bearings,automotive bearings,auto bearing,We always get satisfactory feedback from customers.

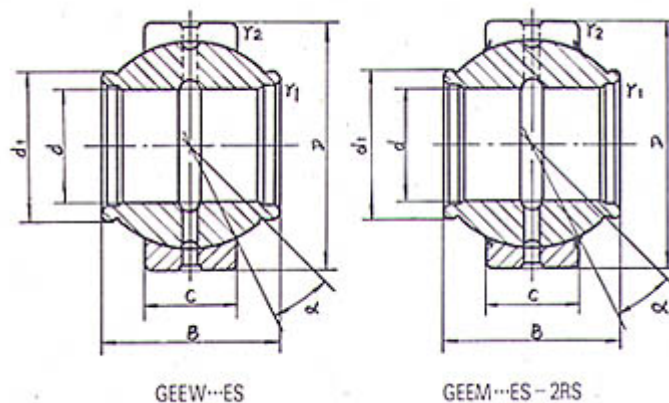


Bearings number		Dimensions mm							Load ratings KN		α°	Weight kg
		d	D	B	C	d1 min	r1s min	r25 min	Dyamic	Static		
Series E												
GE4E	-	4	12	5	3	6	0.3	0.3	2	10	16	0.003
GE5E	-	5	14	6	4	8	0.3	0.3	3.4	17	13	0.004
GE6E	-	6	14	6	4	8	0.3	0.3	3.4	17	13	0.004
GE8E	-	8	16	8	5	10	0.3	0.3	5.5	27	15	0.008
GE10E	-	10	19	9	6	13	0.3	0.3	8.1	40	12	0.011
GE12E	-	12	22	10	7	15	0.3	0.3	10	53	10	0.015
GE15ES	GE15ES-2RS	15	26	12	9	18	0.3	0.3	16	84	8	0.027
GE17ES	GE17ES-2RS	17	30	14	10	20	0.3	0.3	21	106	10	0.041
GE20ES	GE20ES-2RS	20	35	16	12	24	0.3	0.3	30	146	9	0.066
GE25ES	GE25ES-2RS	25	42	20	16	29	0.6	0.6	48	240	7	0.119
GE30ES	GE30ES-2RS	30	47	22	18	34	0.6	0.6	62	310	6	0.153
GE35ES	GE35ES-2RS	35	55	25	20	39	0.6	0.6	79	399	6	0.233
GE40ES	GE40ES-2RS	40	62	28	22	45	0.6	0.6	99	495	7	0.306

GE45ES	GE45ES-2RS	45	68	32	25	50	0.6	0.6	127	637	7	0.427
GE50ES	GE50ES-2RS	50	75	35	28	55	0.6	1.0	156	780	6	0.546
GE60ES	GE60ES-2RS	60	90	44	36	66	1.0	1.0	245	1220	6	1.04
GE70ES	GE70ES-2RS	70	105	49	40	77	1.0	1.0	313	1560	6	1.55
GE80ES	GE80ES-2RS	80	120	55	45	88	1.0	1.0	400	2000	6	2.31
GE90ES	GE90ES-2RS	90	130	60	50	98	1.0	1.0	488	2440	5	2.75
GE100ES	GE100ES-2RS	100	150	70	55	109	1.0	1.0	607	3030	7	4.45
GE110ES	GE110ES-2RS	110	160	70	55	120	1.0	1.0	654	3270	6	4.82
GE120ES	GE120ES-2RS	120	180	85	70	130	1.0	1.0	950	4750	6	8.05
GE140ES	GE140ES-2RS	140	210	90	70	150	1.0	1.0	1070	5355	7	11.02
GE160ES	GE160ES-2RS	160	230	105	80	170	1.0	1.0	1360	6800	8	14.01
GE180ES	GE180ES-2RS	180	260	105	80	192	1.1	1.1	1530	7650	6	18.65
GE200ES	GE200ES-2RS	200	290	130	100	212	1.1	1.1	2120	10600	7	28.03
GE220ES	GE220ES-2RS	220	320	135	100	238	1.1	1.1	2320	11600	8	35.51
GE240ES	GE240ES-2RS	240	340	140	100	265	1.1	1.1	2550	12700	8	39.91
GE260ES	GE260ES-2RS	260	370	150	110	285	1.1	1.1	3038	15190	7	51.54
GE280ES	GE280ES-2RS	280	400	155	120	310	1.1	1.1	2570	17850	6	65.06
GE300ES	GE300ES-2RS	300	430	165	120	330	1.1	1.1	3800	19100	7	78.07

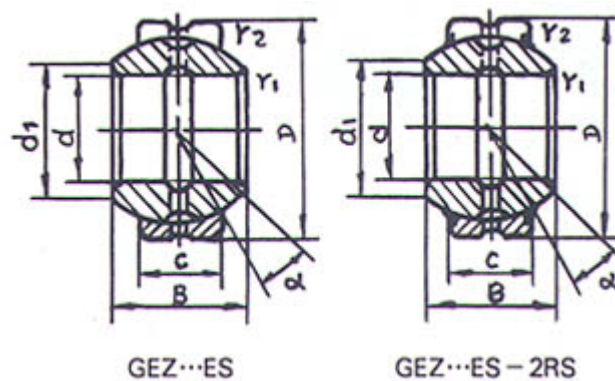
Bearings number	Dimensions mm							Load ratings KN		α°	Weight kg	
	d	D	B	C	d1 min	r1s min	r25 min	Dyamic	Static			
Series G												
GEG4E	-	4	14	7	4	7	0.3	0.3	3.4	17	20	0.005
GEG5E	-	5	16	9	5	9	0.3	0.3	3.4	27	21	0.008
GEG6E	-	6	16	9	5	9	0.3	0.3	5.5	27	21	0.006
GEG8E	-	8	19	11	6	11	0.3	0.3	8.1	40	21	0.014
GEG10E	-	10	22	12	7	13	0.3	0.3	10	53	18	0.021
GEG12E	-	12	26	15	9	16	0.3	0.3	16	84	18	0.033
GEG15ES	GEG15ES-2RS	15	30	16	10	19	0.3	0.3	21	106	16	0.049
GEG17ES	GEG17ES-2RS	17	35	20	12	21	0.3	0.3	30	146	19	0.083
GEG20ES	GEG20ES-2RS	20	42	25	16	24	0.3	0.6	48	240	17	0.153
GEG25ES	GEG25ES-2RS	25	47	28	18	29	0.6	0.6	62	310	17	0.203
GEG30ES	GEG30ES-2RS	30	55	32	20	34	0.6	1.0	79	399	17	0.304
GEG35ES	GEG35ES-2RS	35	62	35	22	39	0.6	1.0	99	495	16	0.408
GEG40ES	GEG40ES-2RS	40	68	40	25	44	0.6	1.0	127	637	17	0.542
GEG45ES	GEG45ES-2RS	45	75	43	28	50	0.6	1.0	156	780	15	0.713
GEG50ES	GEG50ES-2RS	50	90	56	36	57	0.6	1.0	245	1220	17	1.14
GEG60ES	GEG60ES-2RS	60	105	63	40	67	1.0	1.0	313	1560	17	2.05
GEG70ES	GEG70ES-2RS	70	120	70	45	77	1.0	1.0	400	2000	16	3.01

GEG80ES	GEG80ES-2RS	80	130	75	50	87	1.0	1.0	488	2440	14	3.64
GEG90ES	GEG90ES-2RS	90	150	85	55	98	1.0	1.0	607	3030	15	5.22
GEG100ES	GEG100ES-2RS	100	160	85	55	110	1.0	1.0	654	3270	14	6.05
GEG110ES	GEG110ES-2RS	110	180	100	70	122	1.0	1.0	950	4750	12	9.68
GEG120ES	GEG120ES-2RS	120	210	115	70	132	1.0	1.0	1070	5355	16	14.01
GEG140ES	GEG140ES-2RS	140	230	130	80	151	1.0	1.0	1360	6800	16	19.01
GEG160ES	GEG160ES-2RS	160	260	135	80	176	1.1	1.1	1530	7650	16	20.02
GEG180ES	GEG180ES-2RS	180	290	155	100	196	1.1	1.1	2120	10600	14	32.21
GEG200ES	GEG200ES-2RS	200	320	165	100	220	1.1	1.1	2320	11600	15	45.28
GEG220ES	GEG220ES-2RS	220	340	175	100	243	1.1	1.1	2550	12700	16	51.12
GEG240ES	GEG240ES-2RS	240	370	190	110	263	1.1	1.1	3038	15190	15	65.12
GEG260ES	GEG260ES-2RS	260	400	205	120	285	1.1	1.1	3570	17850	15	82.44
GEG280ES	GEG280ES-2RS	280	430	210	120	310	1.1	1.1	3800	19100	15	97.21
Series F												
GEF12ES		12	22	11	9	14	0.5	0.5	13	68	7	0.019
GEF15ES		15	26	13	11	17.5	0.5	0.5	20	102	6	0.028
GEF20ES		20	32	16	14	23	0.5	0.5	33	166	4	0.053
GEF22ES		22	37	19	16	25.5	0.5	0.5	43	217	6	0.085
GEF25ES		25	42	21	18	29	0.5	0.5	55	275	5	0.116
GEF30ES		30	50	27	23	36	1.0	1.0	87	439	6	0.225
GEF35ES		35	55	30	26	40	1.0	1.0	110	552	5	0.302
GEF40ES		40	62	33	28	44	1.0	1.0	130	654	6	0.375
GEF45ES		45	72	36	31	50.5	1.0	1.0	163	816	5	0.598
GEF50ES		50	80	42	36	58.5	1.0	1.0	220	1100	5	0.869
GEF55ES		55	90	47	40	64.5	1.0	1.0	272	1360	6	1.26
GEF60ES		60	100	53	45	72.5	1.0	1.0	344	1720	6	1.72
GEF65ES		65	102	55	47	76	1.0	1.0	375	1877	5	2.05
GEF70ES		70	110	58	50	81.5	1.0	1.0	425	2125	5	2.23
GEF75ES		75	120	64	55	89.5	1.0	1.0	510	2570	5	3.01
GEF80ES		80	130	70	60	97.5	1.0	1.0	610	3060	5	3.98
GEF85ES		85	135	74	63	100.5	1.0	1.0	669	3340	6	4.31
GEF90ES		90	140	76	65	105.5	1.0	1.0	718	3590	5	4.72
GEF95ES		95	150	82	70	113.5	1.0	1.0	833	4165	5	6.05
GEF100ES		100	160	88	75	121.5	1.5	1.5	956	4780	5	7.43
GEF110ES		110	170	93	80	130	1.5	1.5	1080	5440	5	8.54
GEF115ES		115	180	98	85	132.5	1.5	1.5	1190	5960	5	10.3
GEF120ES		120	190	105	90	140	1.5	1.5	1330	6690	6	12.4
GEF130ES		130	200	110	95	148.5	1.5	1.5	1490	7460	5	13.8
GEF150ES		150	220	120	105	166	1.5	1.5	1820	9140	5	17.1



Bearings number	Dimensions mm							Load ratings KN		α°	Weight kg
	d	D	B	C	d1 min	r1s min	r25 min	Dyamic	Static		
Series EW											
GEEW12ES	12	22	12	7	15.5	0.3	0.3	10	53	4	0.022
GEEW15ES	15	26	15	9	18.5	0.3	0.3	16	84	5	0.031
GEEW16ES	16	28	16	9	20	0.3	0.3	17	85	4	0.035
GEEW17ES	17	30	17	10	21	0.3	0.3	21	106	7	0.044
GEEW20ES	20	35	20	12	25	0.3	0.3	30	146	4	0.071
GEEW25ES	25	42	25	16	30.5	0.6	0.6	48	240	4	0.131
GEEW30ES	30	47	30	18	34	0.6	0.6	62	310	4	0.168
GEEW32ES	32	52	32	18	37	0.6	1.0	65	328	4	0.182
GEEW35ES	35	55	35	20	40	0.6	1.0	79	399	4	0.253
GEEW40ES	40	62	40	22	46	0.6	1.0	99	495	4	0.338
GEEW45ES	45	68	45	25	52	0.6	1.0	127	637	4	0.481
GEEW50ES	50	75	50	28	57	0.6	1.0	156	780	4	0.558
GEEW60ES	60	90	60	36	68	1.0	1.0	245	1220	4	1.15
GEEW63ES	63	95	63	36	71.5	1.0	1.0	253	1269	4	1.23
GEEW70ES	70	105	70	40	78	1.0	1.0	313	1560	4	1.71
GEEW80ES	80	120	80	45	91	1.0	1.0	400	2000	4	2.93
GEEW90ES	90	130	90	50	99	1.0	1.0	488	2440	4	3.21
GEEW100ES	100	150	100	55	113	1.0	1.0	607	3030	4	4.79
GEEW110ES	110	160	110	55	124	1.0	1.0	654	3270	4	5.78
GEEW125ES	125	180	125	70	138	1.0	1.0	950	4750	4	8.49
GEEW160ES	160	230	160	80	177	1.0	1.0	1370	6800	4	16.5
GEEW200ES	200	290	200	100	221	1.1	1.1	2120	10600	4	32.1
GEEW250ES	250	400	250	120	317	1.1	1.1	3750	17800	4	99.1
GEEW320ES	320	520	320	160	405	1.1	1.1	6200	30500	4	225
Series EM											

GEEM20ES-2RS	20	35	24	12	24	0.3	0.3	30	146	6	0.073
GEEM25ES-2RS	25	42	29	16	29	0.3	0.6	48	240	4	0.013
GEEM30ES-2RS	30	47	30	18	34	0.3	0.6	62	310	4	0.17
GEEM35ES-2RS	35	55	35	20	40	0.6	1.0	79	399	4	0.25
GEEM40ES-2RS	40	62	38	22	45	0.6	1.0	99	495	4	0.35
GEEM45ES-2RS	45	68	40	25	52	0.6	1.0	127	637	4	0.49
GEEM50ES-2RS	50	75	43	28	57	0.6	1.0	156	780	4	0.60
GEEM60ES-2RS	60	90	54	36	68	0.6	1.0	245	1220	3	1.15
GEEM70ES-2RS	70	105	65	40	78	0.6	1.0	313	1560	4	1.65
GEEM80ES-2RS	80	120	74	45	90	0.6	1.0	400	2000	4	2.50



Bearings number	Dimensions mm								Load ratings KN		α°	Weight kg
	d	D	B	C	d1 min	r1s min	r25 min	Dyamic	Static			
Series Z												
GEZ12ES	-	12.7	22.225	11.1	9.525	14.1	0.15	0.6	13	41	6	0.022
GEZ15ES	-	15.875	26.988	13.894	11.913	18.3	0.15	0.6	22	65	6	0.036
GEZ19ES	-	19.05	31.75	16.662	14.275	21.8	0.3	0.6	31	95	6	0.053
GEZ22ES	-	22.225	36.513	19.431	16.662	25.4	0.3	0.6	42	127	6	0.085
GEZ25ES	GEZ25ES-2RS	25.4	41.275	22.225	19.05	27.6	0.3	0.6	56	166	6	0.121
GEZ31ES	GEZ31ES-2RS	31.75	50.8	27.762	23.8	36.0	0.6	0.6	86	260	6	0.232
GEZ34ES	GEZ34ES-2RS	34.925	55.563	30.15	26.187	38.6	0.6	1.0	102	310	6	0.351
GEZ38ES	GEZ38ES-2RS	38.1	61.913	33.325	28.575	41.2	0.6	1.0	125	375	6	0.422
GEZ44ES	GEZ44ES-2RS	44.45	71.438	38.887	33.325	50.7	0.6	1.0	170	510	6	0.641
GEZ50ES	GEZ50ES-2RS	50.8	80.963	44.45	38.1	57.9	0.6	1.0	224	670	6	0.932
GEZ57ES	GEZ57ES-2RS	57.15	90.488	50.013	42.85	64.9	0.6	1.0	280	850	6	1.33
GEZ63ES	GEZ63ES-2RS	63.5	100.013	55.55	47.625	73.3	1.0	1.0	355	1060	6	1.85
GEZ69ES	GEZ69ES-2RS	69.85	111.125	61.112	52.375	79.1	1.0	1.0	415	1250	6	2.42
GEZ76ES	GEZ76ES-2RS	76.2	120.65	66.675	57.15	86.8	1.0	1.0	500	1500	6	3.10
GEZ82ES	GEZ82ES-2RS	82.55	130.175	72.238	61.9	94.5	1.0	1.0	585	1760	6	3.82

GEZ88ES	GEZ88ES-2RS	88.9	139.7	77.775	66.675	101.6	1.0	1.0	680	2040	6	4.79
GEZ95ES	GEZ95ES-2RS	95.25	149.225	83.337	71.425	108.7	1.0	1.0	780	2360	6	5.78
GEZ101ES	GEZ101ES-2RS	101.6	158.75	88.9	76.2	115.8	1.0	1.0	900	2650	6	6.99
GEZ107ES	GEZ107ES-2RS	107.95	168.275	94.463	80.95	122.8	1.0	1.0	1000	3000	6	8.41
GEZ114ES	GEZ114ES-2RS	114.3	177.8	100.013	85.725	130.6	1.0	1.0	1120	3400	6	9.79
GEZ120ES	GEZ120ES-2RS	120.65	187.325	105.562	90.475	137.6	1.1	1.0	1250	3750	6	11.5
GEZ127ES	GEZ127ES-2RS	127	195.85	111.125	95.25	145.3	1.1	1.0	1400	4150	6	13.5
GEZ152ES	GEZ152ES-2RS	152.4	222.25	120.65	104.775	168.2	1.1	1.0	1730	5200	5	17.5
GEZ165ES	GEZ165ES-2RS	165.1	247.65	123.825	103.175	185.2	1.1	1.1	1830	5500	7	22.9
GEZ177ES	GEZ177ES-2RS	177.8	266.7	133.35	111.125	199.5	1.1	1.1	2120	6390	7	28.6
GEZ190ES	GEZ190ES-2RS	190.5	285.75	142.875	119.05	213.7	1.1	1.1	2440	7340	7	35.1
GEZ203ES	GEZ203ES-2RS	203.2	304.8	152.4	127	228.0	1.1	1.1	2770	8350	7	42.6
GEZ215ES	GEZ215ES-2RS	215.9	323.85	161.925	134.925	242.2	1.1	1.1	3130	9420	7	51.1
GEZ228ES	GEZ228ES-2RS	228.6	342.9	171.45	142.875	256.4	1.1	1.1	3510	10500	7	60.7
GEZ241ES	GEZ241ES-2RS	241.3	361.95	180.975	150.8	270.7	1.1	1.1	3910	11700	7	71.4
GEZ254ES	GEZ254ES-2RS	254	381	190.5	158.75	284.9	1.1	1.1	4340	13050	7	83.3
GEZ266ES	GEZ266ES-2RS	266.7	400.05	200.025	166.675	299.2	1.1	1.1	4780	14300	7	96.4
GEZ279ES	GEZ279ES-2RS	279.4	419.1	209.55	174.625	313.4	1.1	1.1	5250	15700	7	110.8
GEZ292ES	GEZ292ES-2RS	292.1	438.15	219.075	182.55	327.7	1.1	1.1	5740	17200	7	126.7
GEZ304ES	GEZ304ES-2RS	304.8	457.2	228.6	190.5	341.9	1.1	1.1	6250	18700	7	143.9
Series GZ												
GEGZ31ES	GEGZ31ES-2RS	31.75	61.913	35.306	28.575	42.1	0.6	1.0	125	375	15	0.454
GEGZ38ES	GEGZ38ES-2RS	38.1	71.438	40.132	33.325	49.5	0.6	1.0	170	510	14	0.726
GEGZ44ES	GEGZ44ES-2RS	44.45	80.963	46.228	38.1	56.3	0.6	1.0	224	670	14	1.14
GEGZ50ES	GEGZ50ES-2RS	50.8	90.488	52.578	42.85	63.5	0.6	1.0	280	850	14	1.68
GEGZ57ES	GEGZ57ES-2RS	57.15	100.013	58.877	47.625	69.8	0.6	1.0	355	1060	14	2.01
GEGZ63ES	GEGZ63ES-2RS	63.5	111.125	64.643	52.375	76.9	1.0	1.0	415	1250	14	2.95
GEGZ69ES	GEGZ69ES-2RS	69.85	120.65	70.866	57.15	83.8	1.0	1.0	500	1500	14	3.63
GEGZ76ES	GEGZ76ES-2RS	76.2	130.175	76.759	61.9	90.9	1.0	1.0	585	1760	14	4.36
GEGZ82ES	GEGZ82ES-2RS	82.55	139.7	82.931	66.675	97.7	1.0	1.0	680	2040	14	5.31
GEGZ88ES	GEGZ88ES-2RS	88.9	149.225	90.424	71.425	104.1	1.0	1.0	780	2360	14	6.81
GEGZ95ES	GEGZ95ES-2RS	95.25	158.75	94.945	76.2	111.0	1.0	1.0	900	3650	14	8.85
GEGZ101ES	GEGZ101ES-2RS	101.6	177.8	107.315	85.725	124.4	1.0	1.0	1120	3400	10	10.2
GEGZ114ES	GEGZ114ES-2RS	114.3	196.85	119.126	95.25	138.9	1.0	1.0	1400	4150	10	13.6
GEGZ139ES	GEGZ139ES-2RS	139.7	222.25	125.73	104.775	165.1	1.0	1.0	1730	5200	9	20.4

Other products

Deep groove ball bearing, Angular contact ball bearing, Self-aligning ball bearing, Deep groove ball bearing, Angular contact ball bearing, Self-aligning ball bearing, **Bearing Unit**, Pillow Block, Rod Ends, Ball Joint Rod

Ends, **Special bearings**, Special bearing, Nylon Window Pulley, Plastic Pulley, Conveyor bearing for Roller, Conveyor Wheel, Pressed Thrust Bearing, Pressed Bearing, Unground Low Carbon Steel Bearing, Steel Plastic Rollers For Doors&Vehicles, **Spherical Plain Bearings**, Radial Spherical Plain, Angular Contact Spherical Plain Bearings, Spherical Plain Thrust Bearings, Tolerances for spherical Plain Bearings, Radial internal Clearance of Spherical Plain Bearings, **Automotive Bearings**, Hub Wheel Bearing, Clutch Release Bearing, Tensioner Idler Bearing, Cv-joint, Steering Wheel Bearing, Water Pump Bearing, **Roller bearing**, Taper Roller Bearing, Needle Roller Bearing, Thrust Roller Bearing, Spherical Roller Bearing, Cylindrical Roller Bearing, **Needle Bearing**, **Linear Bearing**

Contact us

Cixi TianCheng Bearings Co.,Ltd.

Sales Office Add:No.269 Sishan Road, Cixi, Ningbo, P.R.China. 315300

Tel: 0086-574-63886168 Fax: 0086-574-63886166

E-mail:ivan@bearings-in-china.com

Website:<http://www.bearings-in-china.com/>